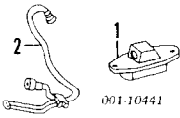


REAR LAMPS Cont'd

LICENSE LAMP

W/O STEP BUMPER Cont'd

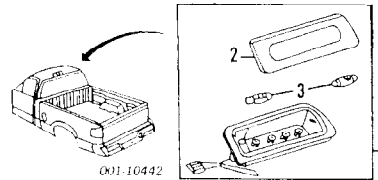
Single #2
#R&R Complete, Included in R&R Face Bar



1 Lamp, License			
Dual	R/L 918399	#2	11.65
Single	16519986	#2	10.32
#R&R Complete, Included in R&R Face Bar			
2 Socket w/Wire			
Dual	R/L 12083460	#1	26.01
Single	12001470	#1	19.85
#w/License Lamp Removed			
Bulb, License	9421330	#2	.63
(As Required) #Included in R&R License Lamp			

HIGH MOUNT STOP LAMP

R&I Stop Lamp Assy3



1 Lamp Assy, Stop			
Std Cab	5977861	#3	108.48
Extended Cab	5977862	#3	108.48
Crew Cab	5977921	#3	105.20
2 Lens			
Std Cab, Crew Cab	16520296	#3	10.83
Extended Cab, Serviced w/Stop Lamp Assy	94-97 9441721	#3	3.45
3 Bulb, Stop Lamp (2)	98-04 9431808	#3	1.66
(Included w/Stop Lamp Assy) #R&R Complete			

REAR BUMPER

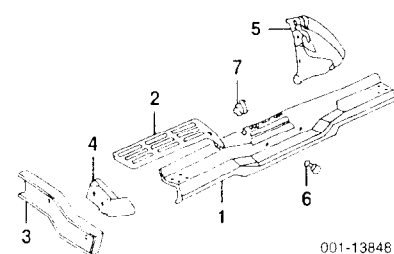
Use Procedure Explanations 27 and 29 with the following text

NOTE: All Parts in this section are included in overhaul unless noted otherwise.

FLEETSIDE

1994-97

Refinish Face Bar		1.8	
Refinish Bar Extension	RL	.6	
R&I Bumper Assy		.5	
O/H Bumper Assy (Includes R&I)		.9	

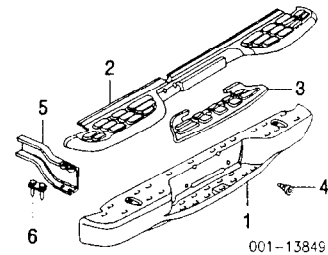


1 Bar, Face			
Factory Installed (P)	15647700	.9	222.75
Dealer Installed (a)			
Black	12343436	.9	151.00
Chrome	12343438	.9	214.00
Gray	12343437	.9	157.00
(P) Paint to Match *Accessory Part Number listed Contact Dealer for Included Components & Discount (a) Includes Hardware & Pads			
2 Pad, Step	R/L 15647618-7	.4	24.57
3 Bracket, Outer	R/L 15647614-3	IOH	11.15
4 Bracket, Inner	R/L 15665208-7	IOH	13.00
5 Extension, Bar (P)			
w/Side Mldgs	R/L 12383116-5	#2	79.71
w/o Side Mldgs	R/L 12383114-3	#2	40.25
(P) Paint to Match #w/Bumper Assy Removed. Not Included in O/H			

FLEETSIDE

1998-04

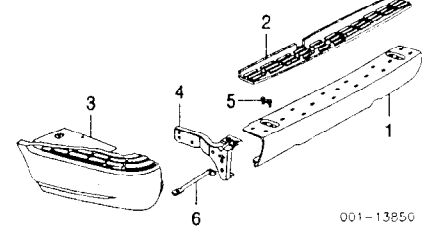
Refinish Face Bar		1.8	
R&I Bumper Assy		.5	
O/H Bumper Assy (Includes R&I)		.9	



1 Bar, Face			
Factory Installed			
Chrome	15007517	.9	354.78
Gray	15007515	.9	264.27
Paint to Match	15007515	.9	264.27
Dealer Installed (a)			
Black	12343436	.9	151.00
Chrome	12343438	.9	214.00
Gray	12343437	.9	157.00
*Accessory Part Number listed, Contact Dealer for Included Components & Discount (a) Includes Hardware & Pads			
2 Pad, Outer Step			
1998-99			
Chevrolet	15008936	.4	32.54
GMC	15008937	.4	32.46
2000-02	15008936	.4	32.54
2003			
To 12-8-02	15008936	.4	32.54
From 12-9-02	15198205	.4	29.95
2004	15198205	.4	29.95
3 Pad, Center Step			
1998-99			
Chevrolet	15720781	.2	16.27
GMC	15720782	.2	16.27
2000-02	15720781	.2	16.27
2003			
To 12-8-02	15720781	.2	16.27
From 12-9-02	15198204	.2	13.11
2004	15198204	.2	13.11
4 Bumper, License Plate (2)	4830147		3.78
5 Bracket, Face Bar	R/L 15719940-39	IOH	20.34
6 Plate, Stud	R/L 27003120		5.91

STEPSIDE

Refinish Face Bar		1.8	
R&I Bumper Assy		.5	
O/H Bumper Assy (Includes R&I)		.9	



1 Bar, Face (P)	15978971	.9	141.22
(P) Paint to Match			
2 Pad, Step	15978963	.4	19.47
3 Step, Rear Side-See Pickup Bed Section			
4 Bracket, Face Bar	R/L 15718668-7	IOH	15.15
5 Plate, Stud	R/L 27003120		5.91
6 Brace, Rear Step-See Pick-Up Bed Section			

1 Label, A/C Caution	15195351	20.30
2 Label, Belt Routing	15195352	14.00
3 Label, Fan Blade Caution	22674722	14.00
4 Label, Radiator Fill Notice	22688946	14.00
5 Label, Tire Caution	9584076	14.00

SSR 2003-04

SECTION INDEX

A/C HEATER/VENTILATION	915
A/C REFRIGERANT CAPACITIES	915
ABS/BRAKES	916
AIR BAG SYSTEM	916
AIR CLEANER	918
BACK WINDOW	920
CENTER CONSOLE	919
CLEAR COAT IDENTIFICATION	914
COOLING	915
COWL & DASH	918
ELECTRICAL	918
EMISSION SYSTEM	918
ENGINE/TRANS	917
ENGINE/TRANS MOUNTS	917
EXHAUST	918
FRAME	916
FRONT BUMPER	915
FRONT DOOR	919
FRONT FENDER	916
FRONT LAMPS	915
FRONT SEAT	919
FRONT STEERING LINKAGE/GEAR	917
FRONT SUSPENSION	916
FUEL TANK	921
GRILLE	915
HOOD	915
INFORMATION LABELS	914
INSTRUMENT PANEL	918
PAINT CODE LOCATION	914
PICKUP BED	920
REAR BUMPER	921
REAR LAMPS	921
REAR SUSPENSION	921
ROCKER/PILLARS/FLOOR	919
ROOF	920
SEAT BELTS	919
SPECIAL CAUTIONS	914
STEERING PUMP	917
STEERING WHEEL/COLUMN	917
UNDERHOOD DIMENSIONS	916
WHEEL	916
WINDSHIELD	918

SPECIAL CAUTIONS

AIR BAGS

Refer to Procedure Explanation 29 for Supplemental Restraint/Air Bag Special Cautions.

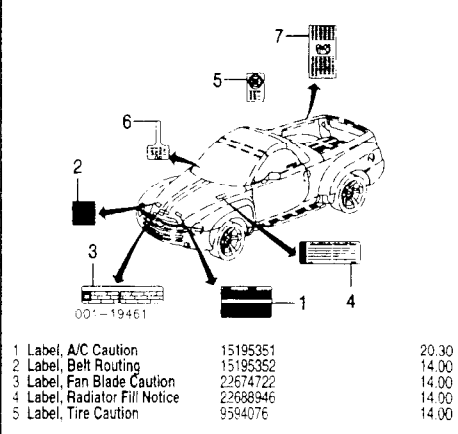
PAINT CODE LOCATION

Paint code located in glove box.

CLEAR COAT IDENTIFICATION

All colors are clear coat.

INFORMATION LABELS



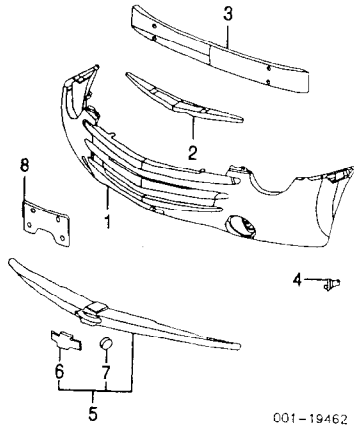
6 Label, Pass Air Bag	15765539	14.00
7 Label, Fuel Container	15082061	14.00
Label, Emission	12457796	14.00
Label, Fuse Block	15162184	15.03

FRONT BUMPER

Use Procedure Explanations 1 and 28 with the following text.

Refinish Bumper Cover	2.4
R&I Bumper Cover	#1.7
<i>#Includes R&I/R&R Fender Liners & Upper Cover Moulding</i>	
R&I Upper Cover Midg.	2
O/H Front Bumper (Includes R&I)	#2.0
<i>#Includes R&I/R&R Grille, Fender Liners</i>	

NOTE: All Parts in this section are included in overhaul unless noted otherwise.

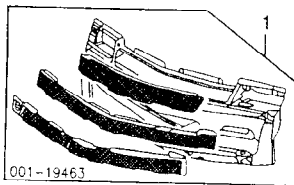


001-19462

1 Cover, Bumper (P)	12335705	#2.0	713.79
<i>(P) Paint to Match</i>			
<i>#Includes R&I/R&R Grille, Fender Liners</i>			
2 Absorber, Impact	15164416		00.00
3 Bar, Front Impact-See Frame Section			
4 Bracket, Bumper	R/L 88980333-2		23.05
5 Moulding Assy, Upper Cover	R/L 15110044-3		32.20
6 Emblem, "Bowtie"	15188936	.2	385.30
7 Retainer, Emblem (2)	15092519	.2	116.90
<i>#Included w/Upper Cover Moulding Assy</i>			
Deflector, Lower Air	15134096	.3	45.76
8 Bracket Assy, License Plate	15187335	.2	36.19
Retainer, Bracket (4)	15993201		2.17
<i>#Included w/License Plate Bracket Assy</i>			

GRILLE

R&I Grille	#3
<i>#w/Front Cover Removed, included in R&R or O/H Front Cover</i>	



001-19463

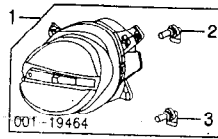
1 Grille		#3	
Black	15174573	#3	205.56
Cashmere	15174585	#3	212.08
Chrome	15174583	#3	205.97
Gray	15174568	#3	212.08
Green	15174569	#3	212.08
Indigo	15179620	#3	0.00
Pewter	15005572	#3	212.08
Red	15174577	#3	205.56
Sandalwood	15005569	#3	212.08
Silver	15174586	#3	212.08
White	15005571	#3	212.08
<i>#Order by Application</i>			
<i>#w/Front Cover Removed, included in R&R or O/H Front Cover</i>			

FRONT LAMPS

HEADLAMP

Aim Lamps	.4
R&I Headlamp Assy	R/L #8
<i>#Includes R&I/R&R Fender Liner & Upper Cover Moulding Assy</i>	

NOTE: R&R Does Not include aim lamps.

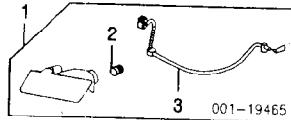


001-19464

1 Headlamp Assy	R/L 15110118-7	#3	275.00
<i>#w/Fender Liner & Upper Cover Moulding Assy Removed</i>			
2 Bulb, High Beam	R/L 25735601	#2	15.64
3 Bulb, Low Beam	R/L 92095787	#2	13.03
<i>#Included w/Headlamp Assy</i>			
<i>#R&R One Side Complete</i>			

PARK/SIGNAL LAMP

R&I Park/Signal Lamp Assy	R/L	#4
<i>#Includes R&I/R&R Upper Cover Moulding Assy, Included in R&R or O/H Front Cover</i>		

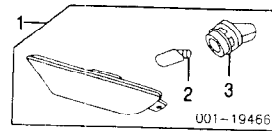


001-19465

1 Lamp Assy, Park/Signal	R/L 12335736-5	#2	75.00
2 Bulb, Park/Signal	R/L 15194045	#2	0.00
<i>#R&R One Side Complete, w/Upper Cover Moulding Assy Removed, Included in R&R or O/H Front Cover</i>			
3 Harness, Lamp	R/L 12335741		76.70
<i>#Included w/Park/Signal Lamp Assy</i>			

SIDE MARKER LAMP

R&I Side Marker Lamp Assy	R/L	#2
<i>#Included in R&R or O/H Front Cover</i>		

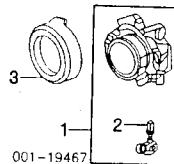


001-19466

1 Lamp Assy, Side Marker	R/L 12335732-1	#2	54.00
2 Bulb, Lamp	R/L 9421330	#1	.63
<i>#Included in R&R or O/H Front Cover</i>			
3 Socket, Marker Lamp	R/L 12335740-39		38.44
<i>#Included w/Side Marker Lamp Assy</i>			

FOG LAMP

R&I Fog Lamp Assy	R/L	#2
<i>#Included in R&R or O/H Front Cover</i>		



001-19467

1 Lamp Assy, Fog	R/L 22680890-89	#2	116.03
2 Bulb, Fog Lamp	R/L 12450143	#2	19.24
<i>#Included w/Fog Lamp Assy</i>			
<i>#R&R One Side Complete, Included in R&R or O/H Front Cover</i>			
3 Bezel, Fog Lamp	R/L 12335737		35.00

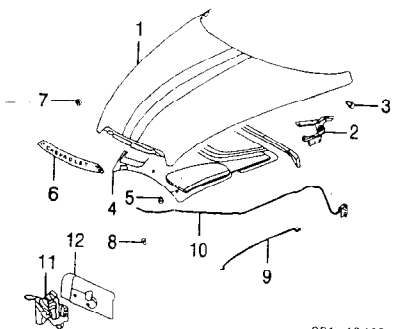
HOOD

Use Procedure Explanations 4 and 28 with the following text.

Refinish Hood Panel Outside	2.6
Add for Underside	1.3
Refinish Hinge	R/L .3
R&I Hood Assy	.5
R&I Nameplate	.2

Illustrator: Located in Next Column

1 Panel, Hood	15134195	1.0	985.00
2 Hinge, Hood	R/L 15134199-8	#2	97.35
<i>#w/Hood & Fender Liner Removed</i>			
3 Bolt, Hinge	R/L 11519093		3.65
<i>#As Required</i>			
4 Insulator, Hood	15132796	.3	91.00
5 Retainer, Insulator (5)	20064675		1.42
6 Nameplate, Hood	15167721	.2	109.20



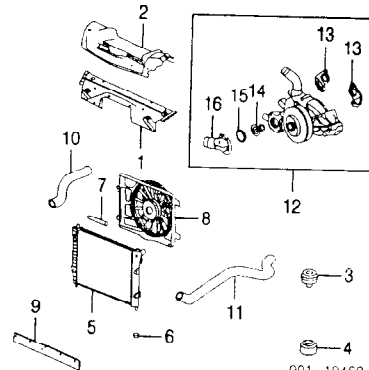
001-19468

7 Nut, Emblem (3)	11504614		4.06
8 Bumper, Hood	R/L 22552589	.1	1.53
9 Rod, Hood Prop	15106090		40.00
10 Cable, Hood Release	15160712	.6	16.44
11 Latch, Hood	15756432	.3	38.73
12 Support, Hood Latch	15118833		65.00

COOLING

Use Procedure Explanations 5 and 28 with the following text.

R&I Radiator	#1.1
<i>#w/Condenser Removed</i>	
Add to R&I Radiator Support	
To R&I/R&R Base Mechanical Components	m #5
<i>#Includes R&I/R&R A/C Condenser</i>	
To Aim Lamps	.4
Evacuate & Recharge	m 1.4
Recover Refrigerant	m .3



001-19469

1 Panel, Radiator Mto	15123678	#3	220.00
<i>#w/Splash Shield, Hood Latch & Air Cleaner Removed</i>			
2 Support, Upper Outer	88979872	#2	280.00
<i>#w/Air Cleaner Removed</i>			
3 Cushion, Upper Rad Supt	R/L 1519661C		0.00
4 Cushion, Lower Rad Supt	R/L 15166835		11.93
5 Radiator	15196396	#1.1	577.12

<i>#Order by Application</i>			
<i>#w/Condenser Removed</i>			
6 Insulator, Radiator (2/Side)	R/L 10188023		3.78
7 Seal, Upper Rad	15106780		18.90
8 Fan, Electric Cooling	15106777	#6	583.74
<i>#Included in R&R Radiator</i>			
9 Baffle, Lower Air-See Frame Section			
Deflector, Lower Air-See Front Bumper Section			
10 Hose, Upper Rad	15106778	#6	74.32
11 Hose, Lower Rad	15128705	#7	83.44

<i>#R&R Both 1.0</i>			
Reservoir, Coolant	22712361	.4	38.10
Cap, Reservoir	15066786		9.99
Belt, Drive	N.A.	.6	0.00
12 Pump Assy, Water	89017439	m #3.2	188.16
<i>#Includes R&R Thermostat</i>			
13 Gasket, Water Pump (2)	12559271	m	3.61
14 Thermostat	12581595	#9	15.36
15 Seal, Thermostat	12570307	#9	3.61
16 Outlet, Thermostat	12581594	#9	37.98
<i>#R&R Complete</i>			
<i>#Included w/Water Pump Assy</i>			

A/C REFRIGERANT CAPACITIES

A/C R-134a Refrigerant Capacity
2003-04: 28.8 Ozs (1.8 Lbs)

A/C HEATER/VENTILATION

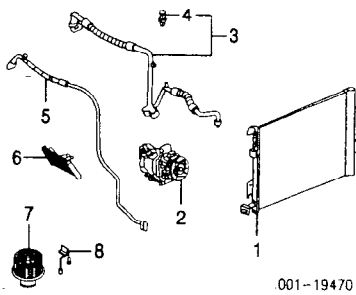
Use Procedure Explanation 6 with the following text.

R&I Condenser	m #9
---------------	------

A/C /HEATER/VENTILATION Cont'd

- #w/Air Cleaner Assy Removed
- Evacuate & Recharge System m 1.4
- Recover Refrigerant m .3

NOTE: R&R Does Not include recover, evacuate and recharge system.



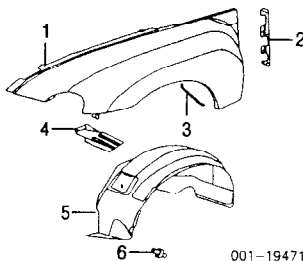
001-19470

1	Condenser	10442892	m	#9	349.60
	#w/Air Cleaner Assy Removed				
2	Compressor	89040222	m	1.7	686.12
	Bracket, Compressor	12567175			19.81
	Evaporator	89018325	m	#2.6	282.16
	#w/Instrument Panel Assy Removed				
3	Hose Assy, Compressor/Condenser	15107123	m	#1.1	241.88
	#included in R&R Compressor				
4	Sensor, Pressure	22664328	m	.4	43.84
	#included w/Compressor/Condenser Hose Assy				
5	Tube, Evaporator	15119316	m	.9	208.36
6	Core, Heater	89018326	m	#3.0	75.39
	#w/Instrument Panel Assy Removed				
7	Motor, Blower	N.A.	m	.7	0.00
8	Resistor, Blower Motor	89018331	m	.5	10.99

FRONT FENDER

Use Procedure Explanations 7 and 28 with the following text.

- Refinish Fender Outside..... R/L 2.0
- Add for Edge..... R/L .5
- R&I Fender Assy..... R/L #2.3
- #Includes R&I Front Cover, R&I/R&R Fender Liner & Rocker Moulding



001-19471

1	Fender	R 15148157	#2.5	474.00
		L 15116911	#2.5	249.20
	#Includes R&I Front Cover, R&I/R&R Fender Liner & Rocker Moulding			
2	Reinf, Rear Fender	R/L 15102959-6		55.00
3	Brace, Center Support	R/L 15187384		34.42
4	Brace, Front Fender	R/L 15127923-2		32.16
5	Liner, Fender	R/L 15129300-1	.4	185.00
6	Retainer, Liner (7/Side)	R/L 25642453		3.98

UNDERHOOD DIMENSIONS

Information not available at time of publication.

AIR BAG SYSTEM

Use Procedure Explanation 30 with the following text.

NOTE 1: R&R Does Not include disable and enable or diagnose Air Bag System.

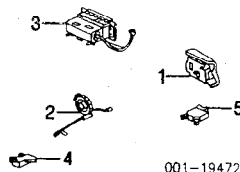
NOTE 2: Refer to Procedural Explanation 30 for Supplemental Restraint/Air Bag System Component Inspection and Replacement Information.

NOTE 3: Instrument Panel Support must be replaced if the Steering Column Capsules have released or Column has collapsed, steel Knee Bolster Brackets are bent or parts which attach to the magnesium support do not fit.

NOTE 4: For Air Bag System Service Procedures, refer to Manufacturer's Service Repair Manual or Mitchell's Air Bag Service and Repair Manual.

FRONT

- Disable & Enable Air Bag System..... m .5
- Diagnose Air Bag System (if Required)..... m #5
- #Includes Disconnect & Connect Scan Tool & Retrieve/Clear Trouble Codes

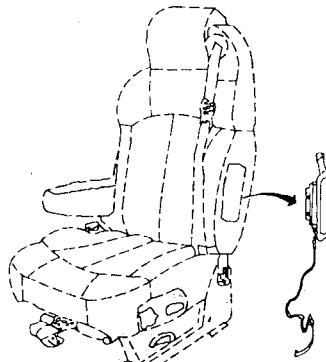


001-19472

1	Module, Driver Air Bag	15166143	m	.3	0.00
2	Coil, SIR	26090357	m	.8	135.04
	#included w/Steering Column Assy				
3	Module, Pass Air Bag	89039768	m	.8	0.00
	Switch, Pass Air Bag	10440761	m	.4	32.07
4	Sensor, Front	R/L 15110122	m	#3	207.14
	#w/Air Cleaner Assy Removed				
	Harness, Wiring	15114350	m		73.68
5	SDM Unit	12246615	m	#7	664.50
	#w/Center Console Removed				

SIDE

- Disable & Enable Air Bag System..... m .5
- Diagnose Air Bag System (if Required)..... m #5
- #Includes Disconnect & Connect Scan Tool & Retrieve/Clear Trouble Codes



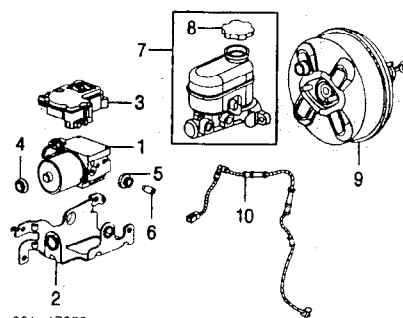
001-16695

1	Module, Side Air Bag	R 89041699	m	#6	0.00
		L 89041696	m	#6	0.00
	#Order by Application				
	#w/Front Seat Assy Removed				
	Sensor, Side Impact	R/L 15110124	m	#4	0.00
	#w/Door Trim Panel Removed				

ABS/BRAKES

- Bleed Brake System..... m .6

NOTE: R&R Does Not include bleed brake system.



001-17888

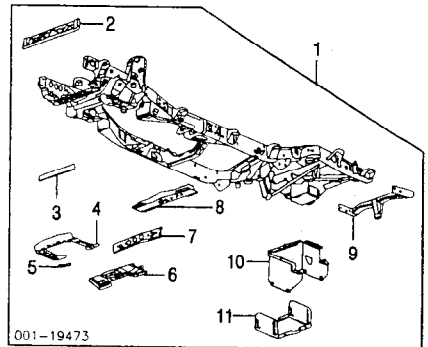
1	Valve, Brake Press Modulator	89040387	m	1.0	0.00
2	Bracket, Valve	88935756			28.16
3	Module, Brake Control	89040386	m	.9	496.19
4	Bushing, Front Mtg	12389626			8.70
5	Bushing, Side Mtg	12473002			.86
6	Bot, Brake Module	12473003			3.84
7	Cylinder Assy, Brake Master	18060788	m	.9	203.34
8	Cap, Reservoir	18060795			23.32
	#included w/Brake Master Cylinder Assy				

- 9 Booster, Brake 18047694 m #1.3 225.96
- #Includes R&R Brake Master Cylinder
- 10 Sensor, Front ABS-See Front Suspension Section

FRAME

Use Procedure Explanation 9 with the following text.

- Section Front Frame Hom..... R/L #4.5
- #w/Impact Bar Removed



001-19473

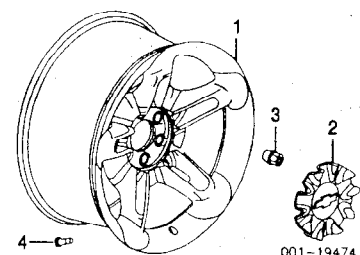
1	Frame Assy	15135213	26.0	3924.75
2	Bar, Front Impact	15100974	2.5	305.00
3	Baffle, Lower Air	15109444		00.00
4	Brace, Frt Crossmember	15114945	.5	254.20
5	Reinf, Crossmember	89040373		33.90
6	Crossmember, Strg Gear	15085421	#8	55.41
	#Includes R&R Front Crossmember Brace			
7	Support, Steering Gear	15019853	.4	92.84
8	Crossmember, Trans	15020364	#8	119.26
9	Crossmember, Rear	15207019	#4	593.20
	#w/Rear Cover Removed			
10	Box, Battery-Serviced w/Frame Assy			
11	Tray, Battery-Serviced w/Frame Assy			
	#included w/Frame Assy			

WHEEL

Use Procedure Explanation 10 with the following text.

ALLOY WHEEL

- Add to R&I Spare Wheel & Tire Assy..... 2



001-19474

1	Wheel, Alloy			
	Front			
	Chrome	15117294	.3	776.30
	Metallic Silver (RPO-15P)	88982314	.3	00.00
	Sterling Silver (RPO-73P)	88982315	.3	00.00
	Rear			
	Chrome	15117288	.3	845.30
	Metallic Silver (RPO-15P)	88982316	.3	00.00
	Sterling Silver (RPO-73P)	88982317	.3	00.00
2	Cap, Center			
	Front			
	Chrome	15117281		92.50
	Metallic Silver (RPO-15P)	15165093		00.00
	Sterling Silver (RPO-73P)	15165091		40.50
	Rear			
	Chrome	15117282		92.50
	Metallic Silver (RPO-15P)	15165094		00.00
	Sterling Silver (RPO-73P)	15165092		40.50
3	Nut, Wheel	22326164		4.39
4	Stem, Valve	274288		1.85

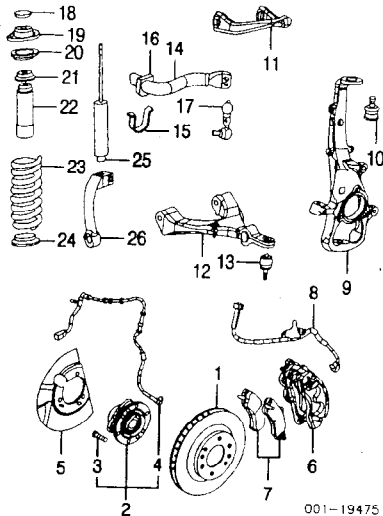
FRONT SUSPENSION

Use Procedure Explanation 11 with the following text.

- R&I Suspension (One Side)..... R/Lm 2.0
- O/H Suspension (Includes R&I)
- One Side..... R/Lm 3.4
- Both Sides..... m 6.4
- Adjust Front Alignment..... m 1.5
- Bleed Brake System..... m .6

NOTE 1: R&I/R&R or O/H Does Not include alignment or bleed brake system.

NOTE 2: All Parts in this section are included in overhaul unless noted otherwise.



1 Rotor, Brake #R&R Both 1.0	R/L 18060665	m #.6	237.99
2 Hub Assy #Includes R&R Rotor, R&R Both Sides 2.0	R/L 12413037	m #1.1	688.04
3 Stud, Wheel	R/L 15158306	m	4.12
4 Sensor, Front ABS #Included w/Hub Assy #R&R Both Sides 1.0	R/L 15158254	m #.6	47.82
5 Shield, Splash #w/Rotor Removed	R 15753012 L 15753011	m #.2	12.26
6 Caliper, Brake #R&R Both .8, w/Rotor Removed Deduct .3	R/L 12497784-3	m #.5	190.29
7 Pad Set, Brake #Deduct .5 for Each Caliper Removed	88982932	m #1.0	111.65
8 Hose, Front Brake #w/Caliper Removed Deduct .2	R/L 15112267-8	m #.3	30.07
9 Knuckle, Steering #Includes R&R Brake Rotor, Hub Assy & Splash Shield	R/L 18060690-89	m #1.5	461.05
10 Joint, Upper Ball #w/Knuckle Removed	R/L 22157320	m #.3	94.58
11 Arm, Upper Control #w/Knuckle Removed Deduct .7	R 15080914 L 15077244	m #1.1	64.63
12 Arm, Lower Control #w/Knuckle Removed Deduct .5	R/L 15115528-7	m #1.0	0.00
13 Joint, Lower Ball #w/Lower Control Arm Removed	R/L 22157319	m #.3	83.79
14 Bar, Stabilizer #Includes R&R Stabilizer Links, Brackets & Bushings, Not Included in O/H	15191382	m #1.0	0.00
15 Bracket, Stabilizer Bar	R/L N.A.	m #.3	0.00
16 Bushing, Stabilizer Bar #R&R One Side Complete, Not Included in O/H	R/L 15101076	m #.3	0.00
17 Link, Stabilizer #Not Included in O/H	R/L 15102673	m #.4	38.60
18 Washer, Front Spring	R/L 15758160	m #1.4	3.95
19 Insulator, Upper Spring #Order by Application	R/L 15743856	m #1.4	32.16
20 Cushion, Spring	R/L 15059301	m #1.4	31.09
21 Retainer, Spring Bumper	R/L 15757063	m #1.4	2.96
22 Boot, Shock	R/L 15196797	m #1.4	10.37
23 Spring, Coil #Order by Application	R/L 15159020	m #1.4	161.70
24 Insulator, Lwr Spring	R/L 15757064	m #1.4	4.75
25 Absorber, Shock	R N.A. L 89040323	m #1.4	0.00
26 Yoke, Frt Shock #R&R One Side Complete, w/Lower Control Arm Removed Deduct .7, R&R Both Sides 2.6	R/L 15743860	m #1.4	59.11

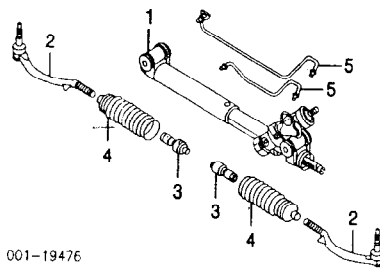
FRONT STEERING LINKAGE/GEAR

R&I Steering Gear Assy m 2.7

NOTE: R&I/R&R Does Not include check or adjust alignment.

Illustration Located in Next Column

1 Gear, Steering	26112231	m	3.0	330.69
2 Rod, Outer Tie	R/L 26100287-6	m	.3	112.18
3 Rod, Inner Tie	R/L 26100288	m	.4	111.25
#w/Steering Gear Assy Removed, Includes R&R Outer Tie Rod & Boot Kit, R&R Both Sides .6				
4 Boot Kit, Steering Gear	26089593	m		56.74



001-19476

5 Pipe, Fluid R/L 26089595-4 m 30.86

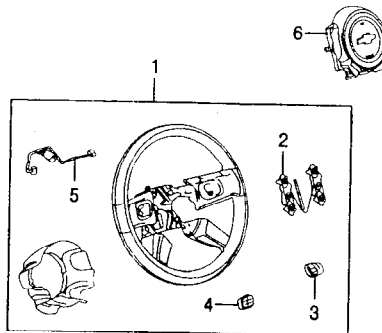
STEERING PUMP

Pump, Steering	N.A.	m	1.8	0.00
Cap, Reservoir	26091076	m		14.23
Bracket, Pump Mtg	12567922	m		108.88
Pulley, Pump	12569456	m	.5	28.86
#Included In R&R Steering Pump				
Belt, Drive-See Cooling Section				
Cooler, Steering Fluid	15009093	m	1.1	115.95
Hose, Gear Inlet	26090950	m	#3.0	30.09
Hose, Gear Outlet	26090949	m	#3.0	125.00
#R&R Complete				

STEERING WHEEL/COLUMN

NOTE: All Parts in this section are included in overhaul unless noted otherwise.

WHEEL & TRIM

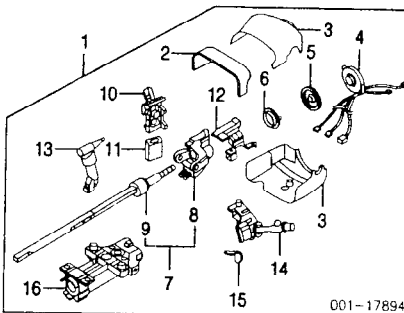


001-19477

1 Wheel Assy, Steering #Order by Application	15186964	m	.6	0.00
2 Contact, Horn (a)	16821883	m		14.46
3 Switch, Radio Control (a)	R 12451278	m	.3	17.48
4 Switch, Driver Info Display (a)	L 12451577	m	.3	0.00
5 Harness, Wiring (a)	16889393	m		0.00
(a) Included w/Steering Wheel Assy				
6 Module, Driver Air Bag-See Air Bag System Section				

COLUMN TILT

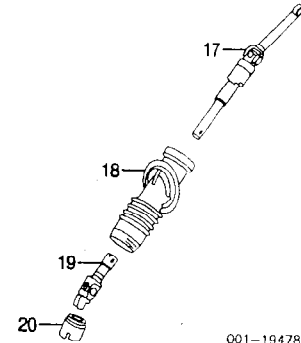
R&I Steering Column	m	2.0
O/H Steering Column (Includes R&I)	m	4.2



001-17894

1 Column Assy, Steering	26100704	m	2.5	749.15
2 Shroud, Strg Column	26077712	m	.8	32.37
3 Cover, Strg Column Trim #R&R Complete	89039453	m	.8	44.28
4 Coil, SIR-See Air Bag System Section				
5 Plate, Lock	26090892	m		12.95
6 Cam, Signal Canceller	26080344	m	1.6	12.65

7 Housing Assy, Steering Column	03 26100327	m	4.2	235.00
04 26100327		m	4.2	235.00
8 Housing, Steering Column (a)	26087973	m		208.09
9 Shaft, Steering (a)	03 26088645	m		356.44
04 26100326		m		125.00
(a) Included w/Steering Column Housing Assy				
10 Case, Ignition Lock Cy	26093782	m	.9	105.35
11 Switch, Ignition	12450251	m	.9	32.04
12 Bracket, Case	26075818	m		30.37
13 Lock, Theft Deterrent	26056147	m		39.35
14 Switch, Turn Signal	12450067	m	1.0	138.55
15 Lever, Tilt Release	26069514	m	.5	9.89
16 Support, Strg Column Hsg	26098330	m		0.00
#Included w/Steering Column Assy				



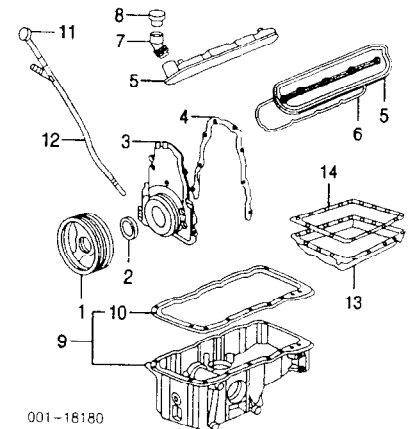
001-19478

17 Shaft, Upper Inter Strg	15103083	m	1.3	0.00
18 Seal, Upper Inter Shaft	15064639	m		31.56
19 Shaft, Lower Inter Strg	15114832	m	.9	0.00
20 Seal, Lower Inter Shaft	15103057	m		0.00

ENGINE/TRANS

Use Procedure Explanation 12 with the following text.

R&I Engine Assy m 8.7



001-16180

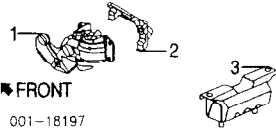
1 Balancer, Crankshaft #Includes R&I/R&R Starter	12576652	m	#6.5	119.84
2 Seal, Frt Crankshaft	12561244	m		19.40
3 Cover, Timing #Includes R&R Crankshaft Balancer	12561243	m	#7.6	69.39
4 Gasket, Timing Cover	12574264	m		18.70
5 Cover, Valve #R&R Both 2.2	R 12570428 L 12570427	m	#1.4	105.60
6 Gasket, Valve Cover	R/L 12560696	m		8.05
7 Tube, Eng Oil Filler Cap	12574386	m		37.37
8 Cap, Eng Oil Filler	12573337	m		5.31
9 Pan Assy, Engine Oil	12579203	m	4.2	411.12
10 Gasket, Eng Oil Pan #Included w/Engine Oil Pan Assy	12558760	m		30.46
11 Dipstick, Eng Oil	12575957	m		18.15
12 Tube, Eng Dipstick	12567172	m	.5	18.15
13 Pan, Trans Oil	8667545	m	.8	22.01
14 Gasket, Trans Oil Pan	8654799	m		5.50

ENGINE/TRANS MOUNTS

Illustration Located in Next Column

1 Mount, Eng #R&R Both 2.0	R/L 1511617C-69	#1.5	0.00
-------------------------------	-----------------	------	------

ENGINE/TRANS MOUNTS Cont'd



2 Spacer, Eng Mount	R/L 15179514-3		72.64
3 Mount Trans	15179512	1.3	72.29
Support, Trans Mount	03 15073440	#1.6	36.14
	04 15110790	#1.6	27.02

#Includes R&R Trans Mount

AIR CLEANER

R&I Air Cleaner Assy		3	
Housing, Frt Air Cleaner	15121068	2	0.00
Housing, Rear Air Cleaner	15106527	3	163.31
Element, Air Cleaner	15106528	3	0.00
Duct Assy, Air Intake	15106523	2	37.65
Sensor, Mass Air Flow	25341604	m 4	219.54
*Included w/Air Intake Duct Assy			
Duct, Outlet	15164508	m 2	0.00
Sensor, Intake Air Temp	12160244	m 3	16.73

EXHAUST

R&R Exhaust System Complete		#3.4	
#Does Not Include R&R Exhaust Manifolds & Heat Shields			
Manifold, Exhaust	R/L 12567484-3	m 1.6	177.84
Converter w/Pipe, Exhaust	15106982	1.4	0.00
Muffler w/Pipe	15125773	2.7	0.00
*Order by Application			
Shield, Converter Heat	15128706		0.00

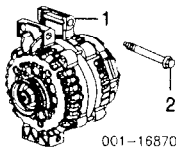
EMISSION SYSTEM

Canister, Vapor	17113683	m #3	153.61
*w/Fuel Tank Removed			
Valve, Canister Purge	1997279	m 3	24.75
Valve, Canister Vent	25658328	m 6	19.04
Sensor, MAP	9359409	m 5	68.61
Sensor, Oxygen	R/L N.A.	m 8	563.20
Module, Powertrain Control	03 12582605	m 8	451.93
	04 12582622	m 8	451.93

*Order by Application

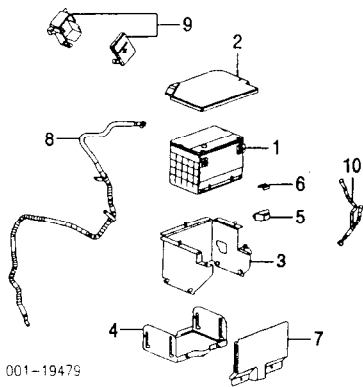
ELECTRICAL

ALTERNATOR



1 Alternator	10464476	m .7	R274.05
Belt, Drive-See Cooling Section			
2 Bott, Alternator (2)	11518637		3.65

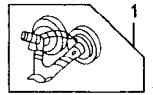
BATTERY



1 Battery	N.A.	#4	0.00
2 Cover, Upr Battery	15118869	#4	92.47
#R&R Complete			
3 Box, Battery-See Frame Section			
4 Tray, Battery-See Frame Section			

5 Hold-Down, Battery	14065061		2.75
6 Washer, Hold-Down	15958455		.56
7 Cover, Side	15108354		136.68
8 Cable, Positive Battery	15118906	.6	503.97
9 Block, Battery	15100963	m	88.85
10 Cable, Negative Battery	15114351	.6	159.02

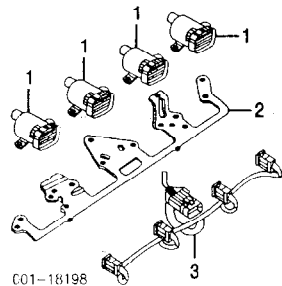
HORN



1 Horn			
High Note	12368061	3	49.87
Low Note	12368062	3	57.34
2 Relay, Horn	15393412	m 3	10.40

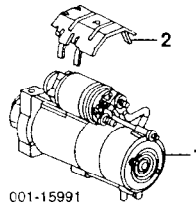
IGNITION

R&R Ignition Coils Complete		m .6	
-----------------------------	--	------	--



1 Coil, Ignition (4/Side)	R/L 10457730	m #3	80.44
#R&R Two or More .6			
2 Bracket, Ignition Coil	R/L 10457736		47.54
3 Wire, Ignition Coil	R/L 10457732	m #6	132.46
#R&R Both .8			
Wire Set, Spark Plug	8894395	m	195.03

STARTER



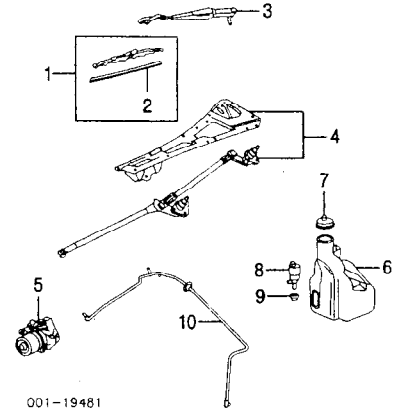
1 Starter	89017440	m 4.2	R293.92
Bolt, Starter Mtg (2)	12561387		6.25
2 Shield, Starter	12578490		21.18

WINDSHIELD

Use Procedure Explanation 13 with the following text.

R&I Windshield Glass		#2.4	
#Includes Clean Up Old Adhesive as Necessary			
Glass, Windshield		#2.0	0.00
General Motors	88987673		0.00
NAGS	DW01534GRY	#2.0	0.00
#Includes Clean Up Old Adhesive as Necessary			
Spacer, Windshield	R/L 10407149		3.42
Module, Antenna	15176969		0.00
Adhesive, Windshield	N.A.		0.00
Moulding, Garnish			
Black	R 15188742	2	259.38
	L 15188741	2	259.39
Blue	R/L 15167726-5	2	259.38
Red	R/L 15188740-39	2	259.38
Silver	R/L 15188746-5	2	259.38
Teal	R 15188744	2	259.38
	L 15188743	2	259.39
Retainer, Garnish Moulding			
(2/Side)	R/L 15782170		4.00
Visor, Sun	R/L 15206528-7	2	191.95
Retainer, Sun Visor	R/L 22612024		1.98
Reinforcement, Visor	R/L 21031302		14.89
Mirror, Inside Rear View			
w/Light Sensitive	15188930	2	0.00
w/O Light Sensitive	10345906	2	0.00
Support, Mirror	15954649	5.24	
Sensor, Rain	15072163		187.70

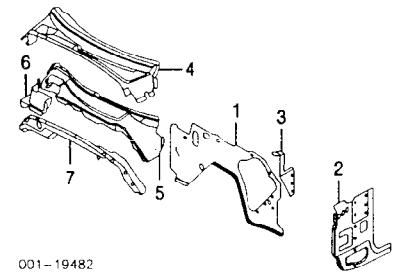
WIPER SYSTEM



1 Blade Assy, Wiper	R 88958166	#2	37.15
	L 88958162	#2	37.15
#Includes R&R Insert			
2 Insert, Wiper	R 88958165	#1	11.84
	L 88958160	#1	11.84
#Included w/Wiper Blade Assy			
3 Arm, Wiper	R 88958163	#2	73.53
	L 88958159	#2	73.53
#Includes R&R Blade & Insert			
Nozzle, Washer	R/L 15173510	1	15.96
4 Module, Wiper	15125207	#4	0.00
5 Motor, Wiper	15164424	5	361.60
#Includes R&R Grille			
Bracket, Motor	88980123		0.00
6 Tank, Washer	88958262	#4	105.48
7 Cap, Washer Tank	25731418		5.82
8 Pump, Washer	12487643	#4	68.09
#R&R Complete, Includes R&R PCM Module			
9 Grommet, Pump	12367271		d.54
10 Hose, Washer	15118465		34.88

COWL & DASH

Use Procedure Explanations 14 and 28 with the following text.

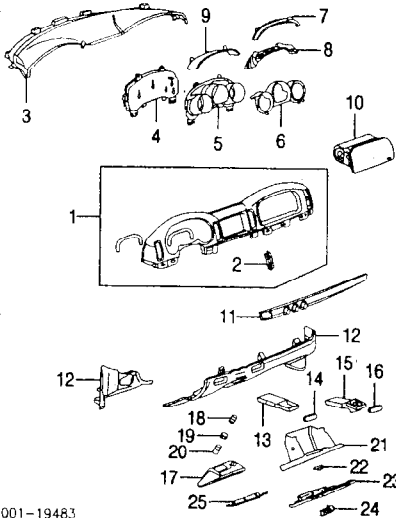


1 Panel, Cowl & Dash	88979867	4.5	0.00
2 Panel, Side Cowl	R/L 88979874-3		92.80
3 Brace, Dash Panel	R/L 88980125-4		92.51
4 Panel, Upper	88979870		0.00
5 Panel, Outer Dash	88980331	6.5	0.00
6 Panel, Front Dash	R 88979868		0.00
7 Panel, Frt Plenum	88979869		0.00

INSTRUMENT PANEL

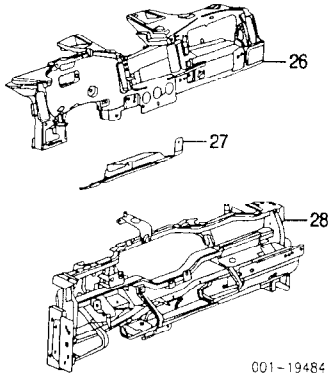
Use Procedure Explanation 14 with the following text.

R&I Instrument Panel Assy		m 3.7	
#Includes R&R Upper Trim Panel			
NOTE: All Parts in this section are included in R&R Instrument Panel unless noted otherwise.			
Illustration Located in Next Column			
1 Panel Assy, Instrument	89039719	m #6.0	349.23
#Includes R&R Upper Trim Panel			
2 Outlet, Air (4)	89039720	3	57.67
#Included w/Instrument Panel Assy			
3 Panel, Uptr Trim	89039718	1.0	395.11
Retainer, Trim Panel (8)	11519745		3.51
4 Cluster, Instrument	N.A.	m #9	0.00
5 Bezel, Inst Cluster	89039767	m #9	0.00
#R&R Complete			



001-19483

6 Ring, Trim	N.A.	.4	0.00
7 Bezel, Upper	N.A.		0.00
8 Bracket, Cluster	N.A.		0.00
9 Bezel, Lower	N.A.		0.00
Radio			
w/Multiple CD Changer	15196055	.7	943.24
w/o Multiple CD Changer	15104155	.7	641.48
Control, A/C/Heater	15126222	m .6	0.00
10 Module, Passenger Air Bag-See Air Bag System Section			
11 Panel, Lower Trim	R/L 15163644-3	.4	69.05
12 Bolster, Knee	R 15126169	.7	141.68
	L 15126170	.7	95.27
13 Holder, Coin	89039759		66.63
14 Cover, Opening	89039767		48.32
15 Holder, Cup	89039758		65.90
16 Cover, Cup Holder	89039760		40.00
17 Ashtray	10290230		55.46
18 Lighter	11516140		10.74
19 Retainer, Lighter	1999431		4.09
20 Housing, Lighter	12450043		9.70
21 Compartment, Glove	89039752	.4	156.00
Hinge, Compartment	89039753		38.11
22 Latch, Compartment	22672011	.1	17.81
Striker, Latch	15066899		4.02
23 Door, Compartment	89039755	.3	297.74
Bumper, Door (2)	10276645		3.63
24 Handle, Compartment	22375311		65.05
25 Hinge, Compartment Door	89039754	.2	37.00



001-19484

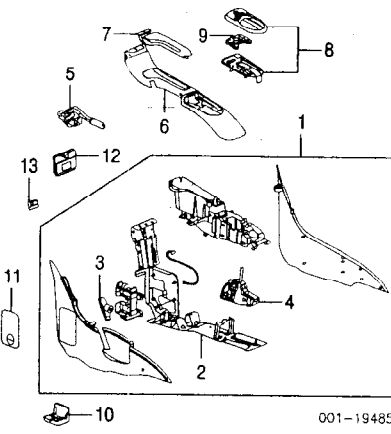
26 Carrier, Instrument Panel	89039764	m #1.3	189.26
<i>#w/Instrument Panel Assy Removed, Not Included in R&R Instrument Panel</i>			
27 Bracket, Knee Bolster	89039750		49.53
28 Support, Carrier	89039763	m #2.1	0.00
<i>#Includes R&R Instrument Panel Carrier, w/Instrument Panel Assy Removed, Not Included in R&R Instrument Panel</i>			

CENTER CONSOLE

Use Procedure Explanation 14 with the following text.

R&L Console Assy		.8	
------------------	--	----	--

NOTE: All Parts in this section are included in R&R Console unless noted otherwise.



001-19485

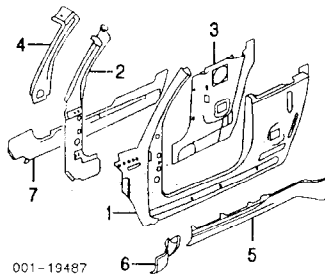
1 Console Assy	89042458	1.1	374.18
2 Bracket, Console	15105612		0.00
3 Boot, Park Brake Lever	15114239		38.33
4 Lever, Shift	15134310		0.00
<i>#Included w/Console Assy</i>			
5 Lever, Parking Brake	15105613		155.70
6 Plate, Console Trim			
Black	89038899	.5	305.14
Blue	89038901	.5	305.14
Red	89038900	.5	305.14
Silver	89038902	.5	305.14
Yellow	89038898	.5	305.14
7 Armrest	89038909		211.23
8 Bezel, Shift Lever	89038896		d0.00
9 Switch, Multi-Function/Window	89039762	m .3	d285.54
10 Holder, Console Cup	15104354		d27.02
11 Door, Fuse Box	89038915		0.00
12 Module, Body Control	15116065	m .4	278.90
<i>#Order by Application</i>			
13 Module, Rear Body Cont	15105652	m .4	0.00

ROCKER/PILLARS/FLOOR

Use Procedure Explanations 14, 15 and 28 with the following text.

ROCKER/PILLARS

Refinish Rocker Panel Moulding	R/L	1.4	
Refinish Front Rocker Panel Mldg	R/L	.4	
Refinish Side Panel	R/L	1.5	
Refinish Hinge Pillar	R/L	1.0	
R&L Rocker Moulding	R/L	.4	
R&L Front Rocker Moulding	R/L	.5	
<i>#Includes R&L Rocker Moulding</i>			

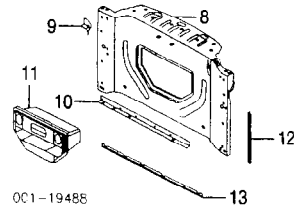


001-19487

1 Panel, Side	R 88980023	5.5	0.00
	L 88980021	5.5	0.00
2 Pillar, Hinge	R/L 88979874-3	6.5	92.80
3 Reinf, Lock Pillar	R/L 88979893-2	1.5	85.00
4 Frame, W/S Inner	R/L 88979899-8	1.5	383.50
5 Moulding, Rocker (P)	R/L 15133036-7	.4	0.00
Retainer, Moulding (4/5Side)	R/L 10431500		3.95
6 Moulding, Frt Rocker (P)	R 88980455	#1	0.00
	L 88980453	#1	0.00
<i>(P) Paint to Match</i>			
<i>#w/Rocker Moulding Removed</i>			
7 Panel, Inner Rocker	R/L 15130790-1	2.5	0.00
Gusset, Pillar	R/L 88979917-6		76.25

Illustration Located in Next Column

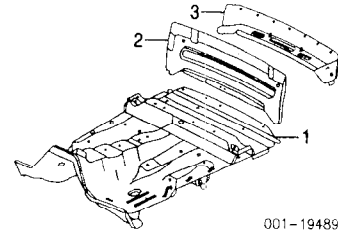
8 Panel, Outer Rear	88980315	1354.45	
9 Pin, Locating	R/L 88980321-2	27.05	
10 Reinf, Rear Panel	88980323	145.36	
11 Comp, Storage	88980324	0.00	
12 Seal, Side Panel	L 88980319	d0.00	



001-19486

13 Seal, Lower Panel	88980320	0.00
----------------------	----------	------

FLOOR



001-19489

- 1 Panel, Floor-Not Serviced
- 2 Panel, Floor Rear-See Pickup Bed Section
- 3 Sill, Floor Panel-See Pickup Bed Section

FRONT SEAT

Use Procedure Explanation 30 with the following text.

R&L Front Seat Assy	R/L	.3	
<i>Adjuster, Seat</i>			
Passenger Side	89039200	#2	555.09
Driver Side			
w/Memory	89039205	#2	667.24
w/o Memory	89039171	#2	563.11
<i>#w/Seat Assy Removed</i>			
<i>Cover, Adjuster</i>			
Passenger Side	15188817		0.00
Driver Side	15188812		0.00
<i>Switch, Lumbar Control</i>			
Driver Side	89039380	.2	54.65
<i>Switch, Adjuster</i>			
Passenger Side	89039201	.2	0.00
Driver Side	89039772	.2	0.00
<i>Cover, Upper</i>			
Passenger Side			
Heated Seat	88981988		0.00
Non-Heated Seat	89039438		23.46
Driver Side	88981944		26.74
<i>Recliner, Seat</i>			
Passenger Side	R 12479966		61.66
	L 12377674		142.18
Driver Side	R 12377629		76.58
	L 12479966		d61.37
<i>Motor, Recliner</i>			
Passenger Side	89039409		215.34
Driver Side	89039409		215.34
<i>#Order by Application</i>			

SEAT BELTS

Use Procedure Explanation 30 with the following text.

Belt Kit, Seat	R/L 89022661-2	486.29
----------------	----------------	--------

FRONT DOOR

Use Procedure Explanations 16 and 28 with the following text.

SHEET METAL/EXTERIOR TRIM

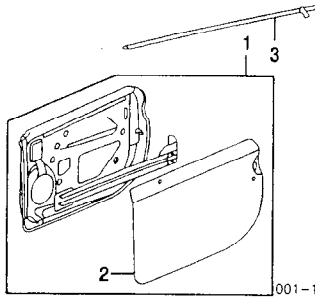
Refinish Door Outside	R/L	2.0	
Add for Jamb	R/L	.5	
Add for Jamb & Interior	R/L	1.0	
R&L Door Assy	R/L	#6	
<i>#w/Fender & Front Cover Removed</i>			
R&L Belt Moulding	R/L	.3	
R&L Mirror	R/L	#7	
<i>#Includes R&L Trim Panel</i>			

Illustration Located in Next Column

1 Shell Assy, Door	R/L 15134734-5	#4.5	830.00
<i>#w/Fender & Front Cover Removed, Includes R&L/R&R Mirror</i>			
2 Panel, Repair	R/L 15116076-5	#5.5	390.00
<i>#Included w/Door Shell Assy</i>			
<i>#w/Fender & Front Cover Removed, Includes R&L/R&R Mirror & Door Glass</i>			

FRONT DOOR Cont'd

SHEET METAL/EXTERIOR TRIM Cont'd



001-19490

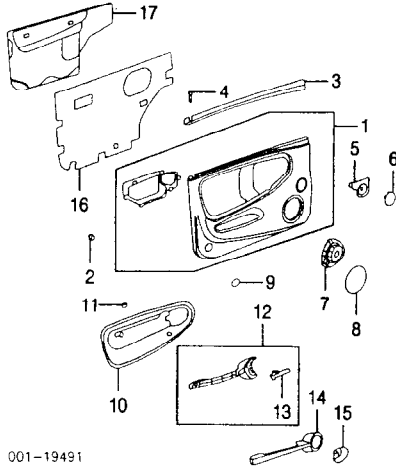
3 W/Strip, Outer Belt	R 21992740	.3	0.00
	L 21992741	.3	157.34
Mirror, Rear View	R 15136192	#.3	0.00
	L 88980897	#.3	318.99
Glass, Mirror	R 12530714	.2	46.63
	L 12455610	.2	270.59
Motor, Mirror	R/L 88980594-3	#.3	77.40

#w/Trim Panel Removed

INTERIOR TRIM

R&I Trim Panel	R/L	.4	
----------------	-----	----	--

NOTE: All Parts in this section are included in R&R Trim Panel unless noted otherwise.



001-19491

1 Panel, Door Trim	R 89039743	.4	205.18
	L 89039744	.4	292.88
2 Retainer, Panel (7/Side)	R/L 11519031		3.70
3 Panel, Upper Trim			
Black	R 89039724	.2	131.46
	L 89039730	.2	131.46
Blue	R 89039726	.2	131.46
	L 89039732	.2	131.46
Silver	R 89039727	.2	205.18
	L 89039733	.2	205.18
Yellow	R 89039723	.2	131.46
	L 89039729	.2	131.46
4 Knob, Lock	R/L 9813799		2.67
5 Speaker, Upper Door	R/L 10302898	#.2	30.45
6 Grille, Upper Speaker	R/L 15131261		0.00
7 Speaker, Lower Door	R/L 15097309	#.2	126.76

#w/Trim Panel Removed, Not Included in R&R Trim Panel

8 Grille, Lower Speaker	R/L 15131263		56.75
9 Reflector, Door	R/L 89039738		8.21
10 Base, Pull Handle	R N.A.		0.00
	L 15118845		70.38
11 Clip, Retainer (3/Side)	R/L 884154		3.95
12 Handle Assy, Pull	R 89039745	#.2	160.83
	L 89039739	#.2	160.83
13 Handle, Inside	R/L N.A.	#.2	0.00

#Included w/Pull Handle Assy

14 Handle, Pull	R/L N.A.	#.2	0.00
-----------------	----------	-----	------

#R&R One Side Complete

15 Bezel, Inside Handle	R/L 15118845-6		70.38
16 Deadener, Sound	R/L 89039734		0.00
17 Shield, Moisture	R 10355488	#	48.97
	L 15127905	#	0.00

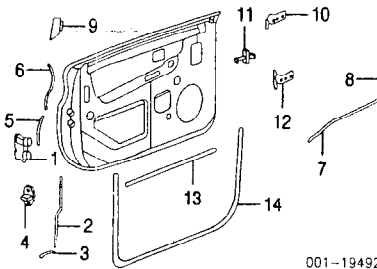
#w/Trim Panel Removed, Not Included in R&R Trim Panel

HARDWARE

Refinish Outside Handle	R/L	.3	
-------------------------	-----	----	--

Refinish Upper Hinge	R/L	.2	
Refinish Lower Hinge	R/L	.2	
R&I Outside Handle	R/L	#.7	
R&I Lock Cylinder	L	#.7	

#Includes R&I Trim Panel



001-19492

1 Latch, Door	R/L 15115932-1	#.3	120.26
---------------	----------------	-----	--------

#w/Trim Panel Removed

2 Rod, Locking	R/L 15102486		26.17
3 Rod, Actuator	R/L 15102487		21.96
4 Striker, Latch	03 R/L 16636122	.2	7.49
	04 R/L 25767961	.2	9.39
5 Rod, Lock Cylinder	L 15102488		20.97
6 Rod, Outside Handle	R/L 15102490-89	0.00	0.00
7 Rod, Inside Handle	R/L 15102480-1		39.69
8 Guide, Rod	R/L 15188916-5		24.42
9 Handle, Outside	R/L 21893286-7	#.3	166.50
Cyl, Lock (Uncoded)	L 12533510	#.2	21.79

#w/Trim Panel Removed

10 Hinge, Upper Door	R 15163689	#.2	43.39
	L 15163691	#.2	43.39

#w/Door Removed

11 Check, Door	R/L 15163692	#.2	35.09
----------------	--------------	-----	-------

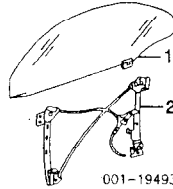
#w/Trim Panel Removed

12 Hinge, Lower Door	R 15163691	#.2	43.39
	L 15163689	#.2	43.39

#w/Door Removed

13 Seal, Lower Door	R/L 15185761	.2	40.70
14 W/Strip, Aux	R/L 15132968-9	.4	122.50

GLASS & PARTS



001-19493

1 Glass, Front Door			
General Motors	R/L 15100962-1	#.6	0.00
NAGS	R/L DD10506-9GTY	#.6	0.00

#w/Trim Panel Removed

2 Regulator Assy, Window	R/L 15114171-2	#.4	00.00
--------------------------	----------------	-----	-------

#w/Glass Removed

Motor, Window	R/L 88980704-3	#.2	127.67
---------------	----------------	-----	--------

#Included w/Window Regulator Assy

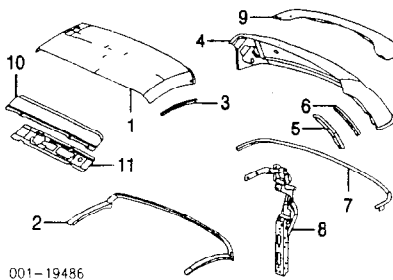
#w/Regulator Removed

ROOF

Use Procedure Explanations 17 and 28 with the following text.

SHEET METAL/EXTERIOR TRIM

Refinish Front Roof Panel	1.5	
Refinish Rear Roof Panel	1.5	
Refinish Storage Panel	1.0	
Refinish Outer Header Panel	.8	



001-19486

1 Panel, Front Roof	15132130	#.5	408.93
---------------------	----------	-----	--------

#Includes R&R Front Trim Panel

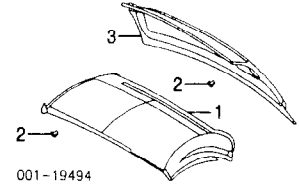
2 W/Strip, Front Panel	88980396	.3	0.00
------------------------	----------	----	------

3 Retainer, W/Strip	R/L 88980399-8		61.10
4 Panel, Rear Roof	15132129	#2.0	514.14

#Includes R&R Front Roof Panel & Back Glass

5 W/Strip, Side	R 88980404	.2	96.70
	L 88980406	.2	96.70
6 Retainer, W/Strip	R 88980405		59.75
	L 88980407		42.80
7 W/Strip, Lower	R 88980403	.3	246.20
8 Hinge, Folding Top	R 88980381		460.00
	L 88980384		460.00
9 Panel, Storage	88980416	.4	458.00
10 Panel, Outer Header	15126388		207.29
11 Panel, Inner Header	15117088		245.00

INTERIOR TRIM

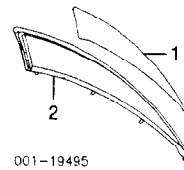


001-19494

1 Panel, Front Trim	N.A.	.3	0.00
2 Retainer, Panel	N.A.		0.00
3 Panel, Rear Trim	N.A.	.3	0.00

BACK WINDOW

Use Procedure Explanation 19 with the following text.



001-19495

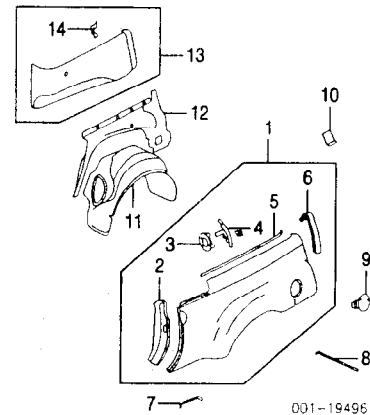
1 Glass, Back Window			
General Motors	15120149	#2.0	0.00
NAGS	D310510YPY	#2.0	0.00
2 Seal, Window	89890409	#2.0	10.30

#R&R Complete, Included in R&R Rear Roof Panel

PICKUP BED

Use Procedure Explanations 21 and 28 with the following text.

Refinish Side Panel	R/L	2.2	
Refinish Fuel Filler Door		.4	
Refinish Inner Wheelhouse Panel	R/L	1.0	
Refinish Inner Side Panel Assy	R/L	1.0	
Refinish Floor Pan		1.5	
Refinish Floor Sill Panel		1.6	
Refinish Front Panel		1.0	
Refinish Tailgate			
Complete		2.4	
Outside		1.8	
Inside		1.0	
Refinish Tonneau Cover		2.4	
R&I Tonneau Cover		.4	
R&I Tailgate		.3	



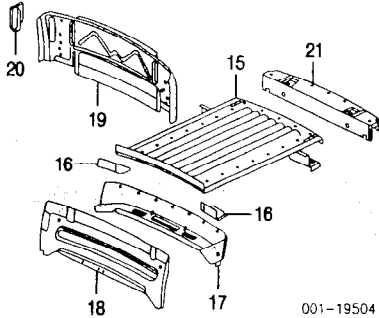
001-19496

1 Panel Assy, Side	R/L 15134330-29	11.5	00.00
2 Extension, Front Panel	R/L 88980114-3	2.5	140.00

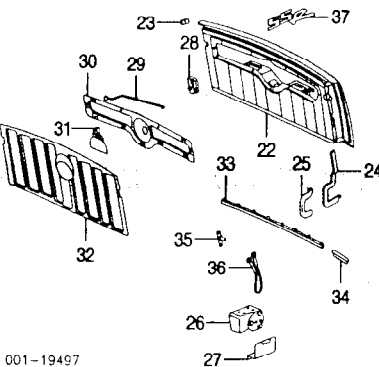
Bracket, Tail Lamp

3 Outer	R/L 88980118-7		36.25
4 Inner	R/L 88980116-5		40.00

5 Extension, Upper	R/L 88980114-3	140.00
6 Gutter, Rear Drain	R/L 15118071-0	83.05
<i>Included w/Side Panel Assy</i>		
7 Cover, Tonneau	N.A.	.6 0.00
8 Brace, Front	R 15183524	37.29
	L 15183527	37.29
9 Brace, Rear	R/L 15183525	0.00
10 Door, Fuel Filter	L 15102370	.3 50.85
11 Reinf, Filter Pipe	L 15187344	54.40
12 Panel, Outer White	R 15119960	.4 149.15
	L 15124009	.4 149.15
13 Panel, Inner White	R/L 88979905-4	4.5 335.00
14 Panel Assy, Inner Side	R/L 88979889-8	4.0 320.00
14 Bracket, Inner	R/L 88980112-1	0.00
<i>Included w/Inner Side Panel Assy</i>		



15 Pan, Floor	15103471	#18.5 425.00
<i>#Deduct 4.5 for Each Inner Panel Removed</i>		
16 Panel, Closeout	R/L 88979907-6	35.57
17 Sill, Floor Panel	88979885	2.5 0.00
18 Panel, Floor Rear	88979886	4.5 150.00
19 Panel, Front	15115122	5.5 0.00
20 Deflector, Water	R/L 15125384-5	29.81
21 Sill, Rear	15103469	3.5 0.00



22 Tailgate	15117684	1.3 480.00
23 Seal, Up/Outer	R/L 15116428-7	.1 54.00
24 Hinge, Tailgate	R/L 15163694-5	#2 74.49
<i>#w/Tailgate Removed</i>		
25 Cover, Hinge	R/L 15102670	24.35
26 Bracket, Hinge	R/L 15128540-1	0.00
27 Shield, Hinge	R/L 15118158-9	29.87
28 Latch, Tailgate	R/L 15175758-9	#2 104.33
<i>#w/Trim Panel & Access Panel Removed</i>		
29 Rod, Latch	R 15106840	20.83
	L 15106841	20.82
30 Panel, Access	15117689	#3 0.00
<i>#Includes R&R/R Trim Panel</i>		
31 Handle, Tailgate	21993273	00.00
32 Panel, Inner Trim		
w/Woodgrain	15126419	.2 0.00
w/o Woodgrain	15137921	.2 319.74
33 W/Strip, Upper	15128370	.2 81.20
34 W/Strip, Outer	R/L 15116428-7	.2 54.00
35 Plate, Anchor	R/L 15187329	30.46
36 Cable, Support	R/L 15176779	31.50
37 Nameplate, Tailgate (Adhesive)	15167722	.2 67.80

REAR SUSPENSION

Use Procedure Explanation 23 with the following text.

R&I Rear Suspension/Axle Assy	m	3.0
Check Rear Alignment	m	.8
Add to Adjust Front Alignment	m	.7
Bleed Brake System	m	.6

NOTE: R&I/R&R Does Not include alignment or bleed brake system.

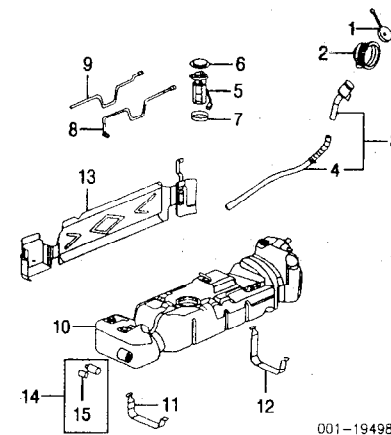
Rotor, Brake	R/L 15158975	m #1.0 #121.80
<i>#R&R Both 1.8</i>		
Pad Set, Brake	88983915	m #1.0 #132.99
<i>#Deduct .5 for Each Caliper Removed</i>		
Caliper, Brake	R 88935778	m #5 113.95
	L 88935777	m #5 116.86

Bracket, Caliper	R 88935806	m #5 103.89
	L 88935805	m #5 106.54
<i>#R&R One Side Complete, R&R Both Sides .8</i>		
Shaft, Axle	R/L 12479161-0	m #1.8 355.74
<i>#Includes R&R Rotor, R&R Both Sides 2.6</i>		
Stud, Wheel	R/L 15158306	m 4.12
Seal, Rear Axle	R/L 12471686	m #3 8.28
Bearing, Axle	R/L 12479031	m #3 46.57
<i>#R&R One Side Complete, w/Axle Shaft Removed</i>		
Hose, Rear Brake	R/L 15102634-3	m .3 45.92
Arm, Upper Cont	R/L 15116112	m #6 0.00
<i>#R&R Both Sides 1.0</i>		
Arm, Lower Cont	R/L 15098154	m #5 123.32
<i>#R&R Both Sides .8</i>		
Absorber, Shock	R/L 15162440	m #6 0.00
<i>#R&R Both Sides 1.0</i>		
Spring	R/L 15115531	m #8 80.00
Insulator, Upper Spring	R/L 15765071	m #8 6.54
<i>#R&R One Side Complete</i>		
Shaft, Stabilizer	15749208	m #8 78.95
<i>#Includes R&R Stabilizer Links, Brackets & Bushings</i>		
Link, Stabilizer Bar	R/L 88982343-2	m #4 57.06
<i>#R&R Complete</i>		
Bushing, Stabilizer Bar	R/L 15700009	m #3 0.00
Bracket, Bushing	R/L 15070804	m #3 4.82
<i>#R&R One Side Complete</i>		

FUEL TANK

R&I Fuel Tank	m	#2.3
<i>#Includes R&R Tank Shield</i>		

NOTE: R&I/R&R Does Not include drain and refill.

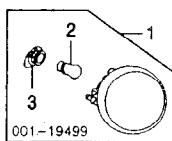


1 Cap, Fuel	10326370	16.38
2 Housing, Filler Pipe	15189756	4.81
3 Pipe Assy, Filler	15107734	372.90
4 Hose, Filler	15107737	120.23
<i>#Included w/Filler Pipe Assy</i>		
5 Module, Fuel Pump	15050444	m #2.2 372.32
<i>#Included in R&R Fuel Tank</i>		
6 Seal, Upper	15036060	#17.29
7 Seal, Lower	15034832	#11.70
8 Pipe, Fuel Feed	15174286	61.33
9 Pipe, Fuel Return	15744711	43.24
10 Tank, Fuel	15181557	m #2.6 892.92
<i>#Includes R&R Tank Shield</i>		
11 Strap, Front Tank	15082436	14.22
12 Strap, Rear Tank	15082435	17.54
13 Shield, Tank	15053178	.4 150.75
14 Filter Assy, Fuel	88983068	#0.00
15 Label, Fuel Pipe Caution	10445318	14.00
<i>#Included w/Fuel Filter Assy</i>		

REAR LAMPS

COMBINATION LAMP

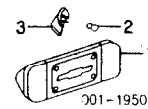
R&I Combination Lamp Assy	R/L	.3
---------------------------	-----	----



1 Lamp Assy, Combination	R/L 15164420-19	.3 95.00
2 Bulb, Tail Lamp	R/L 12450108	.2 2.61
3 Socket, Bulb	R/L 12335715	0.00
<i>#Included w/Combination Lamp Assy</i>		

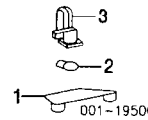
BACK-UP LAMP

R&I Back-Up Lamp		.3
------------------	--	----



1 Lamp, Back-Up	16523537	.3 59.92
2 Bulb, Back-Up Lamp	R/L 9438848	#2 1.35
<i>#R&R Complete, Included in R&I/R&R Back-Up Lamp</i>		
3 Socket, Bulb	R/L 12141493	#52.81

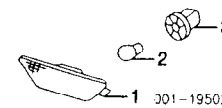
LICENSE LAMP



1 Lamp, License Plate	R/L 16519986	#2 10.32
2 Bulb, Lamp	R/L 9421330	#2 .63
<i>#R&R One Side Complete</i>		
3 Socket, Bulb	R/L 88986416	39.02

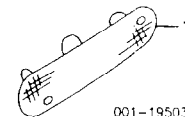
SIDE MARKER LAMP

R&I Side Marker Lamp Assy	R/L	#2
<i>#Included in R&R or QH Rear Cover</i>		



1 Lamp Assy, Side Marker	R/L 15125676-7	#2 34.00
2 Bulb, Lamp	R/L 9421330	#2 .63
<i>#R&R One Side Complete, Included in R&R or QH Rear Cover</i>		
3 Socket, Bulb	R/L 12335740-39	38.44
<i>#Included w/Side Marker Lamp Assy</i>		

HIGH MOUNT STOP LAMP



1 Lamp, High Mount Stop	15133728	.3 152.00
Bulb, Stop Lamp	N.A.	0.00

REAR BUMPER

Use Procedure Explanations 27 and 28 with the following text.

Refinish Rear Cover	2.2
R&I Rear Cover	1.2
QH Rear Cover (Includes R&I)	1.5

NOTE: All Parts in this section are included in overhaul unless noted otherwise.

Cover, Bumper (P)	12335706	1.5 00.00
<i>(P) Paint to Match</i>		